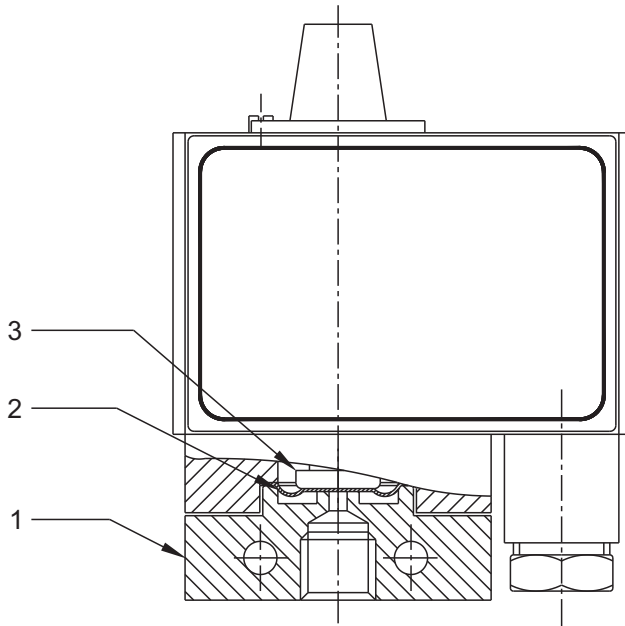


MN / MA HIGH RANGE PRESSURE SWITCHES



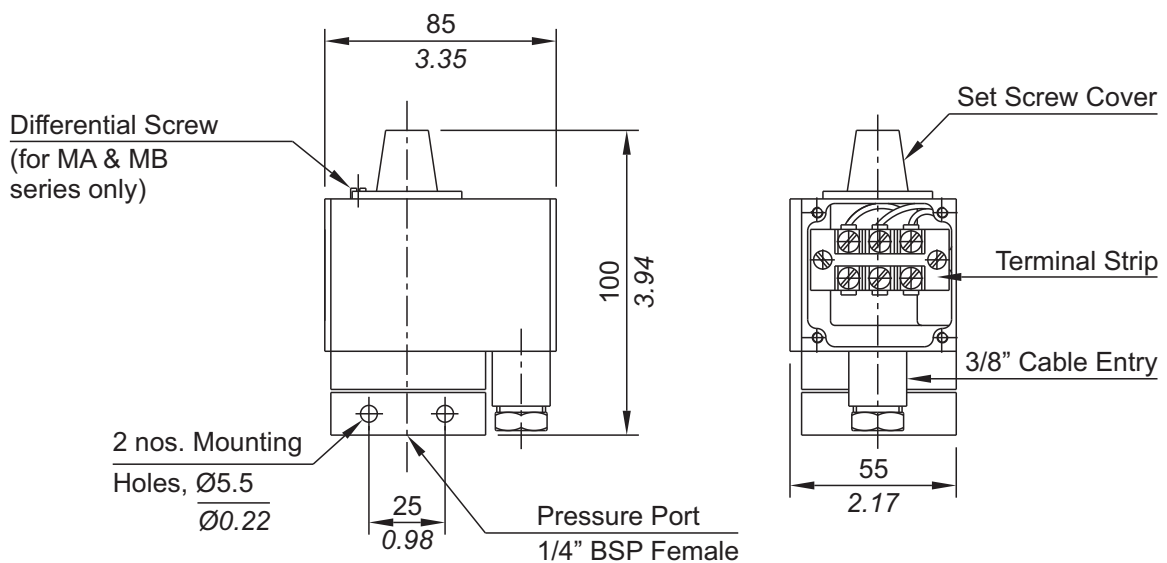
PRESSURE CAPSULE DETAILS



- No. Description**
1. Pressure Housing
 2. Diaphragm
 3. Plunger

Note : *wetted parts* are mentioned in italics.

INSTALLATION DRAWING



APPROX. DIMENSIONS IN $\frac{\text{mm}}{\text{inches}}$

HIGH RANGE PRESSURE SWITCHES MN / MA

General information:

MN / MA series pressure switches are housed in pressure die cast aluminium powder coated enclosure and are recommended for panel mounting or outdoor service based on the type of enclosure opted for. The repeat accuracy is better than $\pm 1\%$ FSR. A 3/8" cable entry is provided for cables and a terminal strip suitable for wired ends is provided inside the enclosure. Pressure port is 1/4" BSPF standard.

Features:

- Compact
- Separate chamber for working parts
- Wide band adjustable differential in MA series
- Choice of wetted parts to suit working media
- Electrical rating : 5A, 250 VAC; 0.2 A, 250VDC (res.)
- Proof pressure available can be 4 times MWP (optional)
- Pressure port: 1/4" BSPF

Some Applications : Used in boilers, water treatment plants, fire fighting systems, compressors, etc.

Range Selection Table

Range Code	Range † bar (psi)	MN		MA	
		*Approximate Maximum Differential bar (psi)	*Adjustable Differential bar (psi)	Maximum Working Pressure bar (psi)	
LP	0.067 - 0.213 Ψ (0.96 - 3.09)	0.02 (0.30)	-	5 (72.52)	
LP5	0.1 - 0.5 (1.45 - 7.25)	0.10 (1.45)	-	5 (72.52)	
H01	0.1 - 1.0 (1.45 - 14.50)	0.1 (1.45)	0.2 - 1.0 (2.90 - 14.50)	12 (174.05)	
H02	0.1 - 1.5 (1.45 - 21.76)	0.20 (2.90)	0.3 - 1.0 (4.35 - 14.50)	12 (174.05)	
H03	0.2 - 2.6 (2.90 - 37.71)	0.20 (2.90)	0.3 - 1.5 (4.35 - 21.76)	12 (174.05)	
H04	0.2 - 3.6 (2.90 - 52.21)	0.30 (4.35)	0.4 - 1.5 (5.80 - 21.76)	12 (174.05)	
H07	0.5 - 7.0 (7.25 - 101.53)	0.50 (7.25)	1.0 - 6.0 (14.50 - 87.02)	12 (174.05)	
H10	0.5 - 10.0 (7.25 - 145.04)	0.50 (7.25)	2.0 - 8.0 (29.00 - 116.03)	25 (362.6)	
H15	1.0 - 15.0 (14.50 - 217.71)	1.50 (21.75)	2.5 - 10.0 (36.25 - 145.04)	25 (362.6)	
H30	5.0 - 25.0 (72.52 - 362.6)	2.50 (36.25)	3.0 - 10.0 (43.51 - 145.04)	35 (507.63)	

*Minimum differential increases with setpoint (Graphs available on request)

† rising pressure for MN series; falling pressure for MA series

Ψ approx 50 mm Hg to 160 mm Hg. Scale calibrated in mm Hg for this range only

How to order MN / MA high range pressure switches.

Group 1	Group 2	Group 3	Group 4	Group 5	Group 6
Model	Range Code	Range Scale	Pressure Housing	Diaphragm	Enclosure
MN - Fixed differential Switch MA - Adjustable Differential Switch	H - High Pressure ranges	U - Uncalibrated C - Calibrated	A - Aluminium B - Brass S - SS316	0 - Neoprene 1 - PTFE	0 - Standard (IP 54) 1 - IP65 as per IS 60529
			for special wetted parts through chemical seals, please refer pages 296 - 302 and specify in text accordingly.		

eg. A fixed differential switch, high pressure range from 0.1-1.0 bar in calibrated style with brass pressure housing & a teflon diaphragm & a standard enclosure shall be specified by

Group 1	Group 2	Group 3	Group 4	Group 5	Group 6
MN	H01	C	B	1	0

Please specify full model number to avoid ambiguity. If only the first two groups are specified while ordering, uncalibrated switches with standard wetted parts and a standard enclosure will be supplied.